

Indicator MINI Smart Glow fuse

Rated 32 V DC

RoHS



Description

Each fast-acting MINI® Smart Glow blade fuse features an LED indicator light that comes on when the fuse blows. Like other MINI fuses, it boasts a miniature design that allows automakers to pack more circuit protection into less space. Despite their light weight, MINI fuses perform reliably in adverse environments and at extreme temperatures.

Features & Benefits

- Available with ampere ratings of 3 A to 30 A
- Interrupting ratings of 1 kA at 32 VDC
- Operate at up to 125 °C
- Tin-plated zinc alloy terminals
- PA66 housings with UL flammability ratings of V-2
- Net weight 0.57 g ±5 % per fuse
- Comply with SAE J2077 and ISO 8820-3
- UL Listed
- Certified lead-free and RoHS compliant
- Color coding indicates ampere rating
- High-contrast ampere rating stamps aid identification
- See-through housings make it easier to see when fuses blow

Applications

- Cars and SUVs
- Trucks
- Buses
- Offroad vehicles
- Watercraft as approved by Littelfuse

Ratings

Color Code	Current Rating (A)	Material #	Carded	
				Catalog #
Gray	2	—		—
Violet	3	OMIN003.VPGLO		10-0003
Pink	4	—		—
Tan	5	OMIN005.VPGLO		10-1000
Brown	7.5A	OMIN07.5VPGLO		10-0007
Red	10A	OMIN010.VPGLO		10-1001
Blue	15A	OMIN015.VPGLO		10-1002
Yellow	20A	OMIN020.VPGLO		10-1003
Clear	25A	OMIN025.VPGLO		10-1004
Green	30A	OMIN030.VPGLO		10-1005

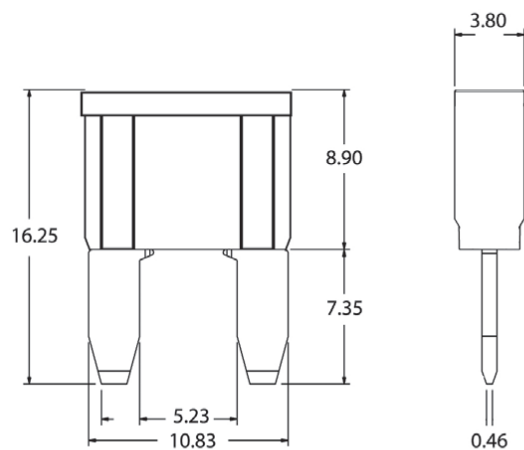
**SMART
GLOW** Fuse®

Indicator MINI Smart Glow fuse

Rated 32 V DC

Dimensions

Dimensions in mm. Please refer to the outline drawing for dimensions and tolerances.

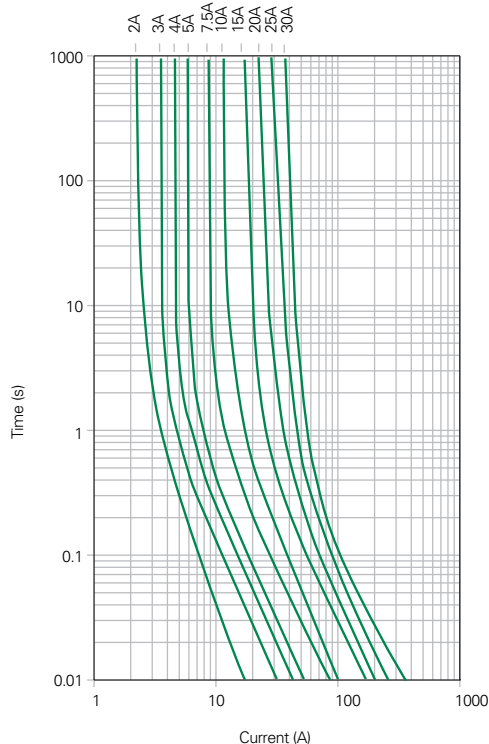


**SMART
GLOW** Fuse®

Indicator MINI Smart Glow fuse

Rated 32 V DC

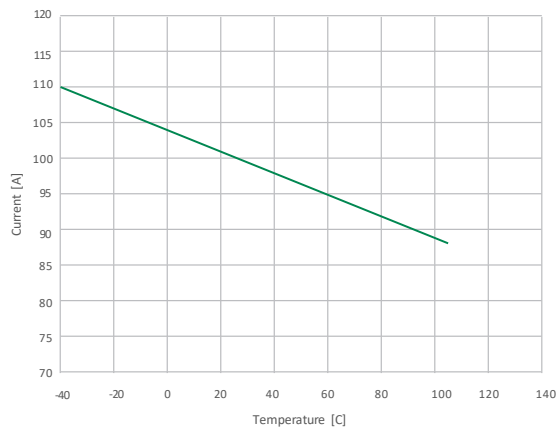
Time-Current Characteristic



% of Rating	Opening Time Min. / Max. (s)
110	360,000 / -
135	0.75 / 600
200	0.15 / 5
350	0.08 / 0.25
600	0.03 / 0.1

Typical Derating Curves

Please contact Littelfuse® for Details Regarding Derating Test Set Up



Derating depicted in these curves is in addition to the standard derating of 25 % for continuous operating.

